

A background image of a water splash, with a vertical stream of water falling from the top and creating a large, circular splash at the bottom. The water is rendered in a light, semi-transparent style against a white background.

# DOL Starters

## Section 4

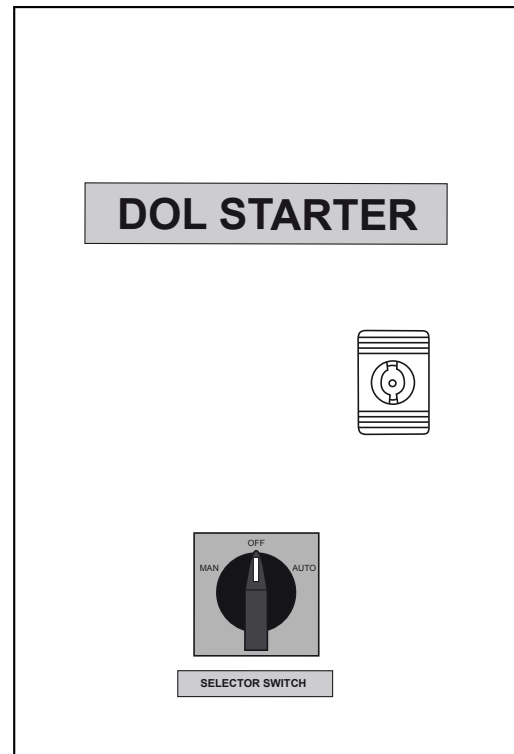
# DOL Starters

## Common Features

The DOL Starter, housed in a robust, powder coated, lockable metal enclosure, provides a very cost effective way of controlling a pump where the usual standard features, typically available in pump controllers, are not required.

Features of the DOL Starter include: Auto/Off/Manual Switching, Low Voltage (24Vac) Circuitry for input Switches, Contactor and Overload motor protection for pumps. In addition to a Low Voltage switch input the Starter also has provision for a 'cut out' switch.

As detailed below, the MATElec range of DOL Starters is comprehensive and is available as an 'off the shelf' stock item.



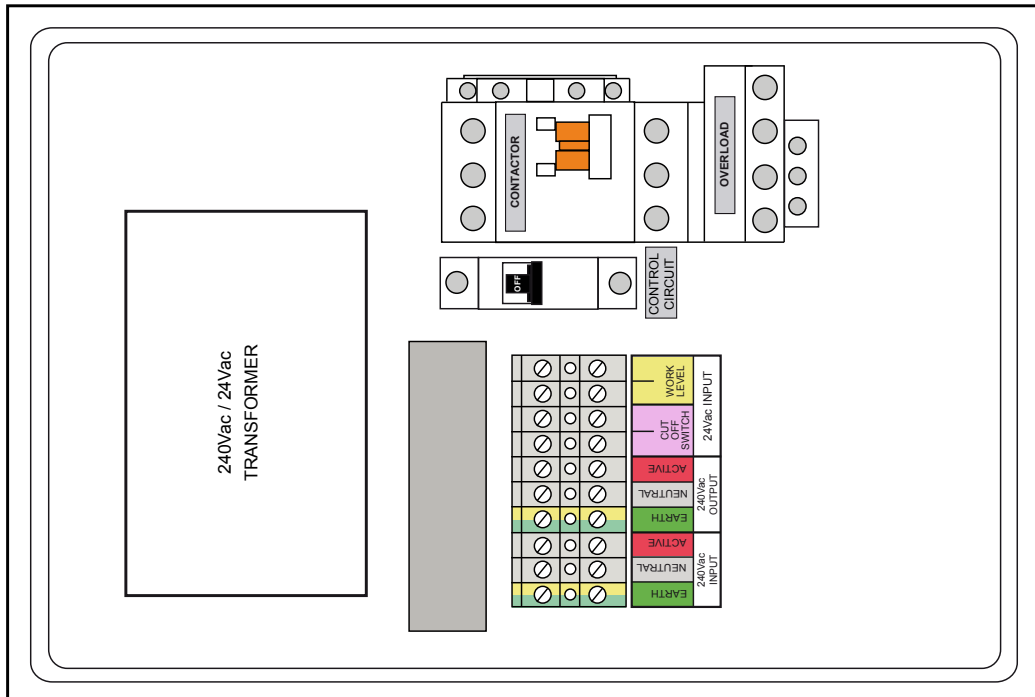
## The Range

Product Code	Voltage Rating	Contactor Rating	Overload Rating	Enclosure Type *
FPC-15900-A	240Vac	18Amp	2.5 - 4Amp	101
FPC-15900-B	240Vac	18Amp	4 - 6Amp	101
FPC-15900-C	240Vac	18Amp	7 - 10Amp	101
FPC-15900-D	240Vac	18Amp	9 - 13Amp	101
FPC-15900-E	240Vac	18Amp	12-18Amp	101
FPC-15905-A	415Vac	18Amp	2.5 - 4Amp	101
FPC-15905-B	415Vac	18Amp	4 - 6Amp	101
FPC-15905-C	415Vac	18Amp	7 - 10Amp	101
FPC-15905-D	415Vac	18Amp	9 - 13Amp	101
FPC-15905-E	415Vac	18Amp	12-18Amp	101

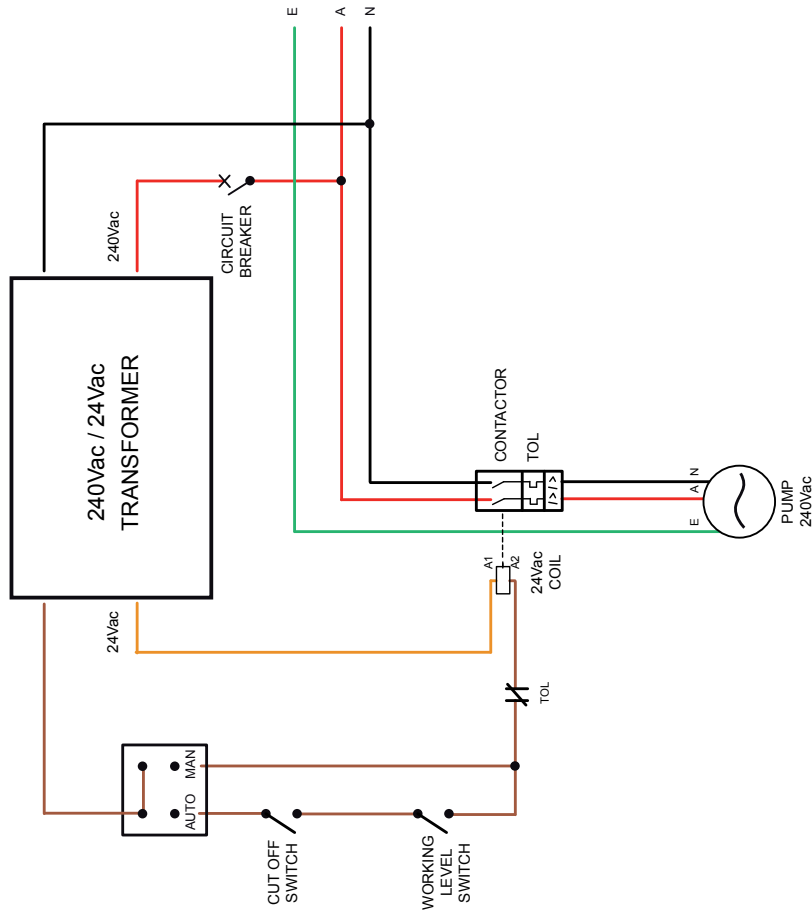
\* Please Note: Refer to Section 5 of this document for Enclosure Specifications

# DOL Starters Component Layout & Wiring

Model FPC-15900

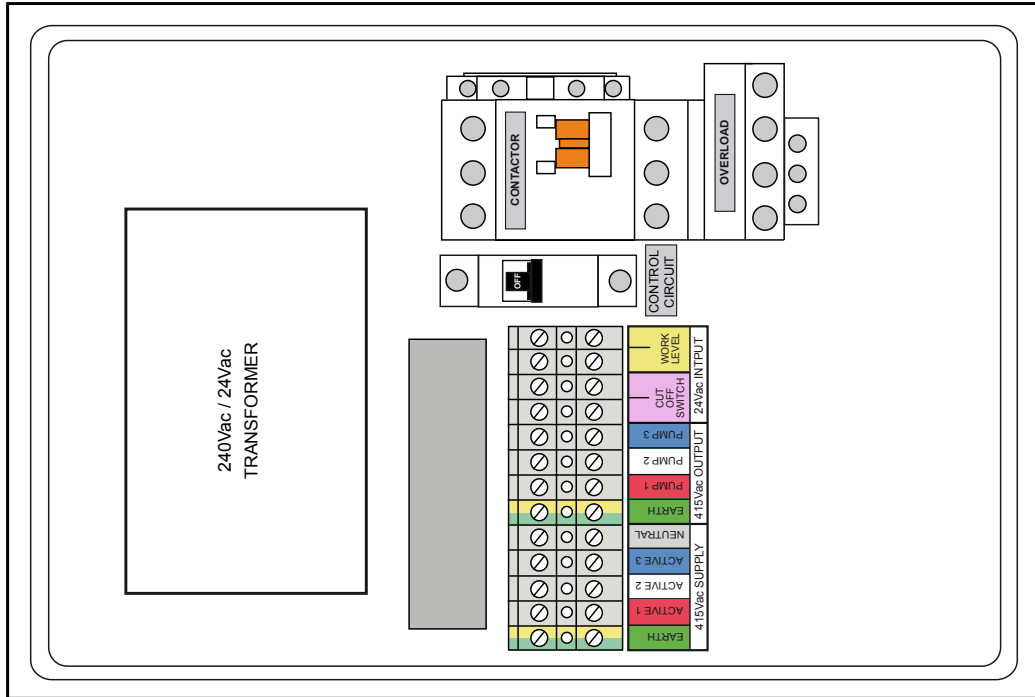


1 Phase Internal Component Layout

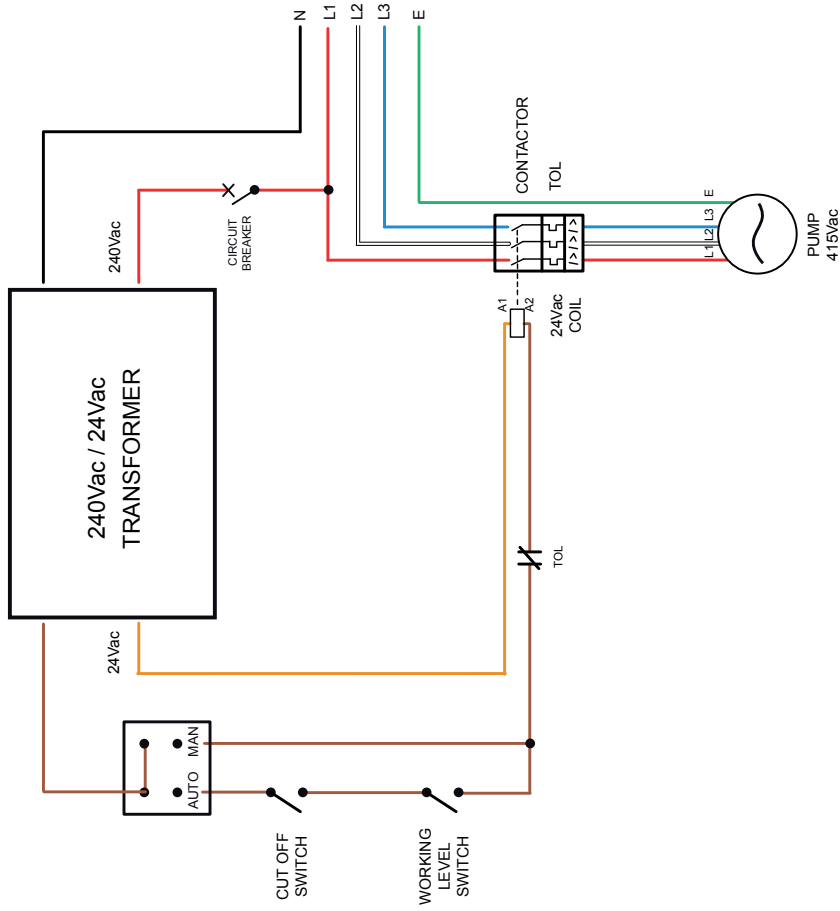


1 Phase Wiring Diagram

### Model FPC-15905



3 Phase Internal Component Layout



3 Phase Wiring Diagram